

SmartBox NG - Top Open L

Keeping your guests' valuables secure!

SmartBox NG features sleek, classic styling; advanced digital electronics; solid steel construction; anti-tamper labyrinths; and user-friendly audit software. Its simple operation makes it the most user-friendly digital code safe on the market.

Standard Features

- Double lift struts for easier open and softer close
- Two solid steel bolt locking mechanisms
- Large LED display and keypad
- Internal LED light
- ADA compliant audible keypad
- 4-digit guest code
- Battery backup
- Battery auto-check and low battery warning

Security Features

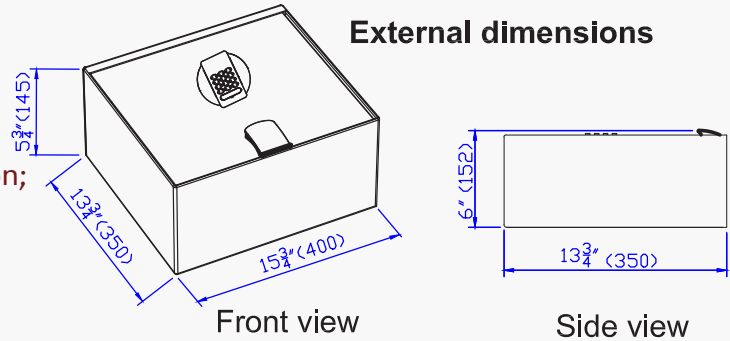
- Emergency opening with Override Unit
- Override Unit downloads last 400 operations
- Anti-tamper construction enhances security and offers protection against manipulation

Optional Accessories/Features

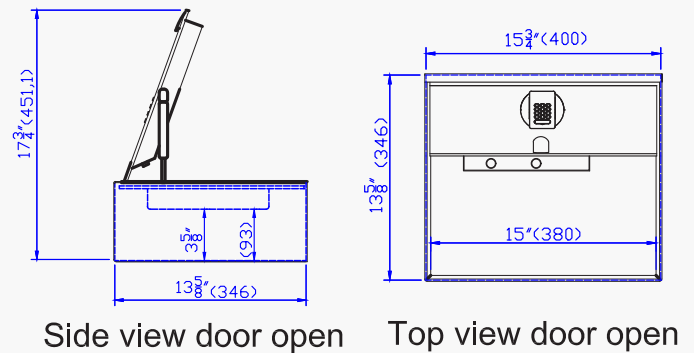
- Custom Door Color*
- Custom Logo Interior Carpet*
- Pedestal
- Security Cable



External dimensions



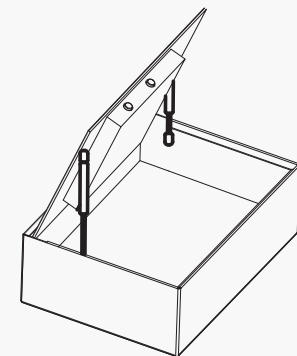
Inner sizes and the available dimensions with door open



Technical Specifications

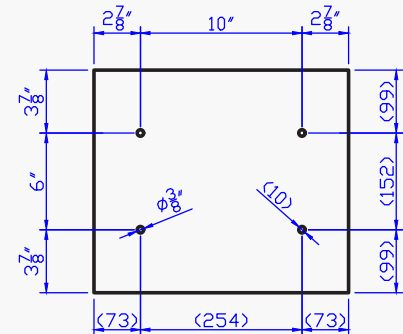
| | SmartBox NG Top Open L |
|---|--------------------------------------|
| Capacity (liters / cubic feet) | 12.5L / 0.44 Cu.Ft |
| Dimensions HxWxD (inches) Depth measured to faceplate (mm) | 6 x 15.75 x 13.75 152 x 400 x 350 |
| Door Hinge | Top Open |
| Interior Carpet Liner | Yes |
| Net Weight (lbs / kgs) | 25.6 / 11.6 |
| Gauge of Steel (Door / Body) | 14 gauge / 6 gauge |
| Internal LED Light | Yes |
| Battery | 4 AA alkaline batteries |
| Certification | ISO9001-2000 / CE / ROHS |

*Only available on orders of 100 units or more



Double support arm

Installation (The dimensions are from outside wall)



Installation from bottom



www.MinibarSystems.com

DOC0274_SmartBox_NG_Top_Open_L

MINIBAR SYSTEMS
smart bars • smart people • smart solutions

Minibar North America
7340 Westmore Road
Rockville, MD 20850
tel 301 354 5055
fax 301 309 1115
info@MinibarNA.com