

# SmartBox NG - Top Open XL

Keeping your guests' valuables secure!

SmartBox NG features sleek, classic styling; advanced digital electronics; solid steel construction; anti-tamper labyrinths; and user-friendly audit software. Its simple operation makes it the most user-friendly digital code safe on the market.

## Standard Features

- Double lift struts for easier open and softer close
- Can fit a 17" laptop computer inside
- Large LED display and keypad
- Internal LED light
- ADA compliant audible keypad
- 4-digit guest code
- Battery backup
- Battery auto-check and low battery warning

## Security Features

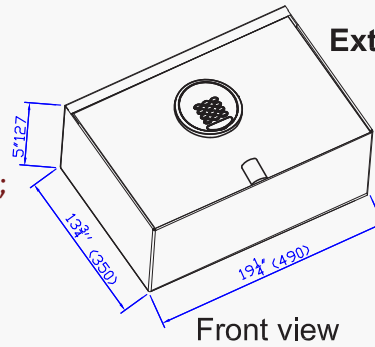
- Emergency opening with Override Unit
- Override Unit downloads last 400 operations
- Anti-tamper construction enhances security and offers protection against manipulation

## Optional Accessories/Features

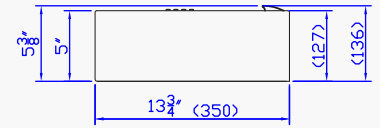
- Custom Door Color\*
- Custom Logo Interior Carpet\*
- Pedestal
- Security Cable



## External dimensions

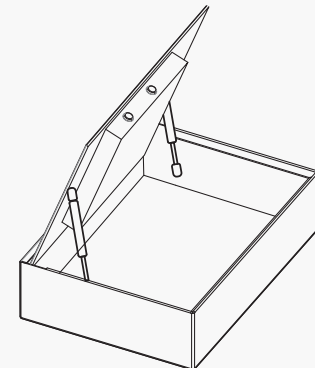
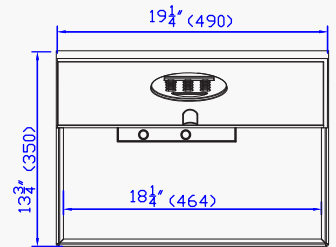
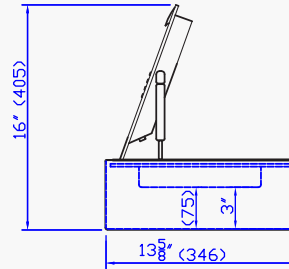


Front view



Side view

## Inner sizes and the available dimensions with door open



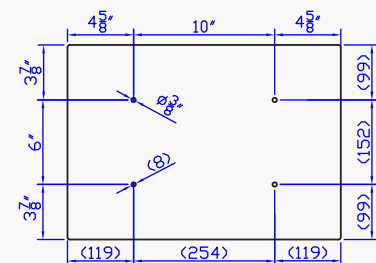
Double support arm

## Technical Specifications

	SmartBox NG Top Open XL
Capacity (liters / cubic feet)	15.3L / 0.54 Cu.Ft
Dimensions HxWxD (inches) Depth measured to faceplate (mm)	5.375 x 19.25 x 13.75 136 x 490 x 350
Door Hinge	Top Open
Interior Carpet Liner	Yes
Net Weight (lbs / kgs)	28 / 12.7
Gauge of Steel (Door / Body)	14 gauge / 6 gauge
Internal LED Light	Yes
Battery	4 AA alkaline batteries
Certification	ISO9001-2000 / CE / ROHS

\*Only available on orders of 100 units or more

## Installation (The dimensions are from outside wall)



Installation from bottom

