

SmartBox NG - Laptop XL

Keeping your guests' valuables secure!

SmartBox NG features sleek, classic styling; advanced digital electronics; solid steel construction; anti-tamper labyrinths; and user-friendly audit software. Its simple operation makes it the most user-friendly digital code safe on the market.

Standard Features

- Can fit a 17" laptop computer inside
- Two solid steel bolt locking mechanisms
- Large LED display and keypad
- Internal LED light
- ADA compliant audible keypad
- 4-digit guest code
- Battery backup
- Battery auto-check and low battery warning

Security Features

- Emergency opening with Override Unit
- Override Unit downloads last 400 operations
- Anti-tamper construction enhances security and offers protection against manipulation

Optional Accessories/Features

- Custom Door Color*
- Custom Logo Interior Carpet*
- Pedestal

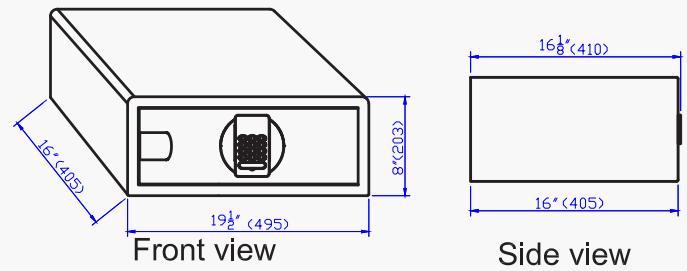


Technical Specifications

	SmartBox NG Laptop XL
Capacity (liters / cubic feet)	35 / 1.24Cu.Ft
Dimensions HxWxD (inches) Depth measured to faceplate (mm)	8 x 19.5 x 16.125 203 x 495 x 410
Door Hinge	Left / Right
Interior Carpet Liner	Yes
Net Weight (lbs / kgs)	30.6 / 13.9
Gauge of Steel (Door / Body)	14 gauge / 6 gauge
Internal LED Light	Yes
Battery	4 AA alkaline batteries
Certification	ISO9001-2000 / CE / ROHS

*Only available on orders of 100 units or more

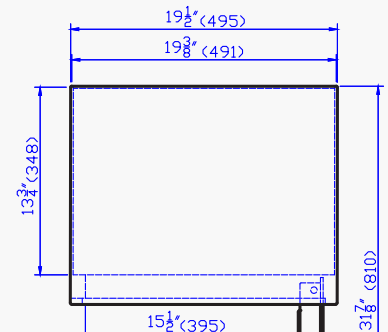
External dimensions



Inner sizes and the available dimensions with door open

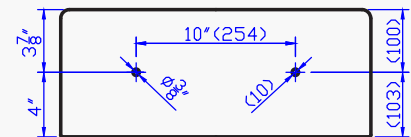


Front view

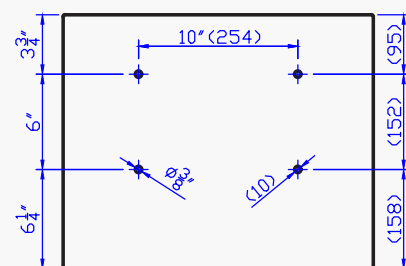


Top view door open

Installation
(The dimensions are from outside wall)



Installation from back



Installation from bottom



www.MinibarSystems.com

DOC0269_SmartBox_NG_Laptop_XL

MINIBAR SYSTEMS
smart bars • smart people • smart solutions

Minibar North America
7340 Westmore Road
Rockville, MD 20850
tel 301 354 5055
fax 301 309 1115
info@MinibarNA.com